

Kids 'R' Kids Mini Camp



Woodcrafters Club



Woodcrafters Club

Introduction

The Woodcrafters Club is a fun teacher-led club that will teach campers how to build with wood and use a variety of tools in a safe manner. You can do this individually or as a team. Use your imagination and have a great time creating your own wooden masterpieces.

At the end of the summer, you can display and show your creations. Add your final photos of what you made to a scrapbook to look back on. This is a challenging club, but you will feel so rewarded at what you can accomplish. Welcome to becoming a woodworker!

Teachers should gather all the items needed for the project and place in a bag for each child.



Squirrel Corn Feeder

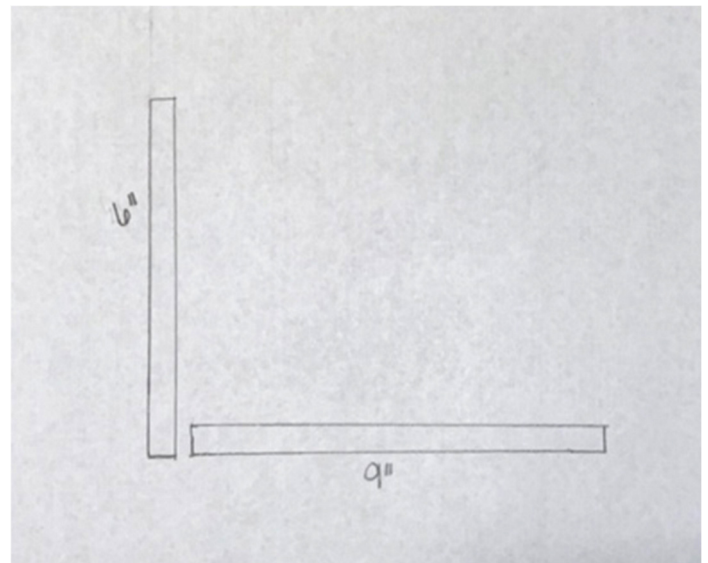
Materials

- Wood – 1" x 6" piece of wood cut into lengths of: 6" and 9"
- Screws - 2 1/2"
- Screwdriver (teacher will need to start the holes)
- Wood Glue
- Paint
- Mini Bucket - <https://www.orientaltrading.com/mini-pails-a2-13601687.fltr?keyword=bucket>
- Sandpaper
- Bag of corn feed (this can be purchased at a hardware store/feed store)



Instructions

1. Take your 2 pieces of wood and sand down the ends and any rough spots.
2. Glue the end of the longer piece of wood to the end of the shorter piece of wood. Let the glue dry for an hour.
3. Screw the 2 pieces of wood together at the end where they are glued.
4. At this time, you can paint your squirrel feeder. You can add any decoration around the edges of the feeder gluing them securely in place. Let dry completely overnight.
5. Place the bucket on, glue in place, and allow it to fully dry.
6. You can hang this on a tree or a fence. Add corn and sit back and watch for the squirrels come over and enjoy the corn.



Tin Can Bird Feeder

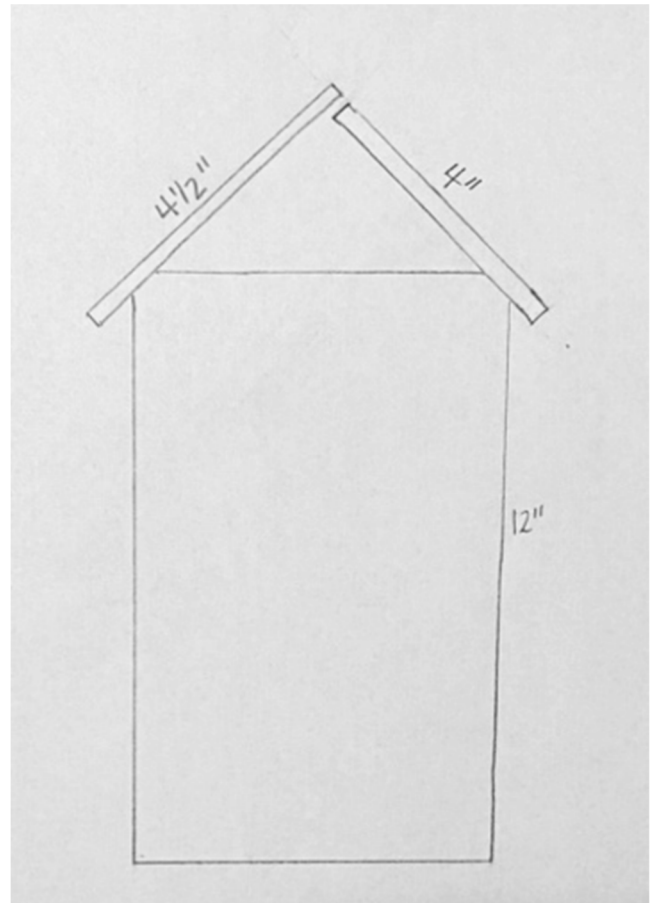
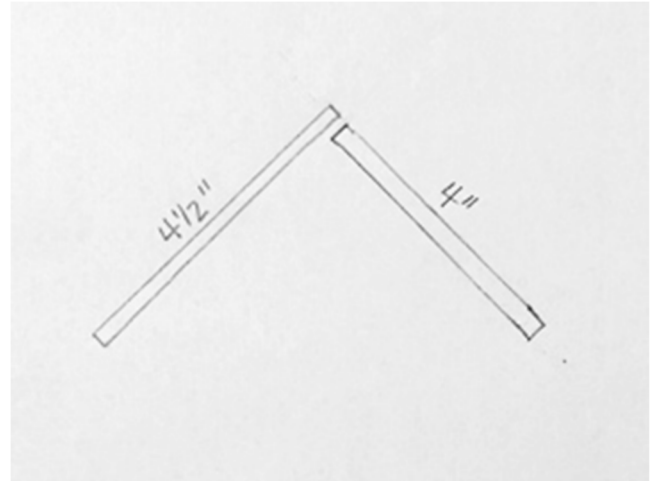


Materials

- Wood – 1"x 6" common board cut into lengths of: 4" (roof) 4 1/2" (roof) and 12" (back)
- Wood glue
- Hammer
- Small nails
- Soup cans (use the OXO can opener to smooth edges)
- Paint
- Ribbon, buttons, other glue on items to decorate
- Birdseed

Instructions

1. Glue the end of the longer piece of the roof to the shorter piece of the roof.
2. After fully dried, hammer 2 small nails to hold the roof together.
3. Glue the roof to the top corners of the 12" piece of wood which will be the back.
4. You will see a small opening that you will use to hang the feeder on the tree.
5. Paint and decorate your cans and glue onto the back of the wood.
6. Add birdseed, and it is ready to hang outside.



Wooden Name Builder

Materials

- Wood – 1" x 4" common board cut into 4" sections to make 4"x 4" blocks
- Letter stencils
- Paint
- Painters tape
- Pencil

Instructions

1. Collect the number of wooden blocks that you need for your name. These blocks can be painted or stained. Let the blocks fully dry for a couple of hours.
2. Tape your stencil starting at the top of the block in place onto the wood block with painters' tape. Taping the stencil to the top of the block will help each letter be in the same place for each of your blocks.
3. Carefully dab paint or trace with a sharpie inside the letter and let fully dry.
4. You can add numbers to make the block letters look like Scrabble® pieces.
5. You can have your family help you hang these on your wall, or you can stand them on a shelf.



Picture Me Photo Block

Materials

- Wood – 2" x 2" wood square blocks
- Mod Podge®
- Paint
- 4 full body pictures with different clothes and hair styles/hats/wigs

Instructions

1. Teachers take pictures of the campers against a wall from the same distance - 4 different times. Try to tape off the distance on the floor so all the pictures will be the same size.
2. Print out the pictures.
3. The campers can cut out the sections of their pictures (head, body, and legs) and Mod Podge onto the wooden blocks.
4. Have fun changing your outfits and hairstyles. Have fun, make funny faces, and get creative.



Wooden Wind Chime

Materials

- Pliers hand sewing punch (craft store or Amazon)
- Plastic lacing cord (any color, craft store or Amazon)
- Bells
- Liquid washable watercolor paint
- Eye droppers
- Small watercolor paintbrush
- Wood carved beads:
https://www.amazon.com/Hagao-Unfinished-Natural-Spacer-Jewelry/dp/B07KG6TTCZ/ref=sr_1_31?dchild=1&keywords=wood+carved+beads&qid=1589072646&sr=8-31
- Balsa wood:
<https://www.amazon.com/Midwest-Products-Project-Woods-Economy/dp/B000BQWULK/?encoding=UTF8&camp=1789&creative=9325&keywords=balsa%20wood&linkCode=ur2&qid=1410576969&s=arts-crafts&sr=1-1&tag=merche0f-20&linkId=T3ZKQQWICTCTMYLI>



Instructions

1. Punch a hole using the pliers sewing punch on one end of each piece of balsa wood.
2. Use the eyedropper and dip into the watercolor paint to decorate your balsa wood.
3. Paint the wood carved beads and let fully dry.
4. Using the lacing cord, tie a knot at one end.
5. First, string on the bell. Then, string on the balsa wood pieces and wood beads.
6. Once you have them all strung onto the cord, tie off the other end and hang outside. You can also hang several on a dowel rod.

Wooden Lantern/Planter

Materials

- 1 x 10 common board - cut 9 ½" long (purchase at hardware store)
- 1" square dowels cut into 12" long and 7" long (purchase at hardware store)
- Wood Glue
- Paint

Instructions

1. You will need 4 of the 12" dowels and 8 of the 7" dowels. Lay them down on a table like you see in the diagram and glue the edges with the wood glue. You only need to use a very small amount of wood glue. Be careful to not glue to the table. This makes 1 side of your lantern.
2. Repeat these steps to create all 4 sides.
3. After everything is dried, stand up the sides and glue them to the 9 ½" square to use as a base.
4. Have fun painting and decorating your lantern. Lastly, you can add a plant, flowers, or tea light.

